



CATALOG



LATEST CATALOG BY HYPERBUILD
2026

www.hyperbuildbrick.co.za

TABLE OF CONTENT

Subject	Page
About Us	Page: 1
Projects	Page: 2
Cement Bricks	Page: 3-4
Cement Bags	Page: 6
Sand & Stone	Page: 7
Paving	Page: 8-10
Regular&DesignerPavers	Page: 9
Waterwise/Permeable Pavers	Page: 10
Affordable/ Alternative Pavers	Page: 10
Cororbik Clay Pavers	Page: 11
Kerbs	Page: 12 - 14
Semi Face Bricks	Page: 15 - 18
Clay Stocks	Page: 18
Face Bricks	Page: 19 - 22
Gallery	Page: 23 - 24
Contact	Page: 25

MINIMUM ORDER QUANTITY

CEMENT STOCKS	4000 BRICKS
CEMENT MAXI'S	3000 BRICKS
CEMENT BLOCKS	800 BLOCKS
CLAY STOCKS	2000 BRICKS
SEMI FACE BRICKS	2000 BRICKS
FACE BRICKS	2000 BRICKS
PAVING BRICKS	2000 BRICKS or 40m ²
KERBS	120m
SAND & STONE	6m ³

CEMENT BAGS

Small loads	120 bags
Medium loads	160 - 400 bags
Large loads	640 bags with a forklift



ABOUT US

The Brick Experts



ABOUT

Hyperbuild Bricks and Sand was established in 2005 from humble beginnings. It has since evolved into a prominent national leader in the transport and supply of quality SABS approved building material in South Africa. At Hyperbuild Bricks and Sand we are committed to being the leading national supplier of quality building material. We are very proud to be affiliated with the below trusted SABS approved brands.

WATERFALL ESTATE - MIDRAND

We're proud to have been a part of creating this exceptional community. Nestled within the expansive Waterfall City. This estate offers a unique lifestyle for active families. This 500-hectare estate boasts 934 stands, surrounded by 80 hectares of indigenous parkland, 10 fishing dams, and over 37km of trails.

PROJECTS

EYE OF AFRICA- JOHANNESBURG SOUTH

Eye of Africa Golf & Residential Estate is a premier 700-hectare development. This exceptional estate offers a harmonious blend of modern living and natural beauty, featuring a Greg Norman-designed championship golf course that seamlessly integrates with its surroundings.

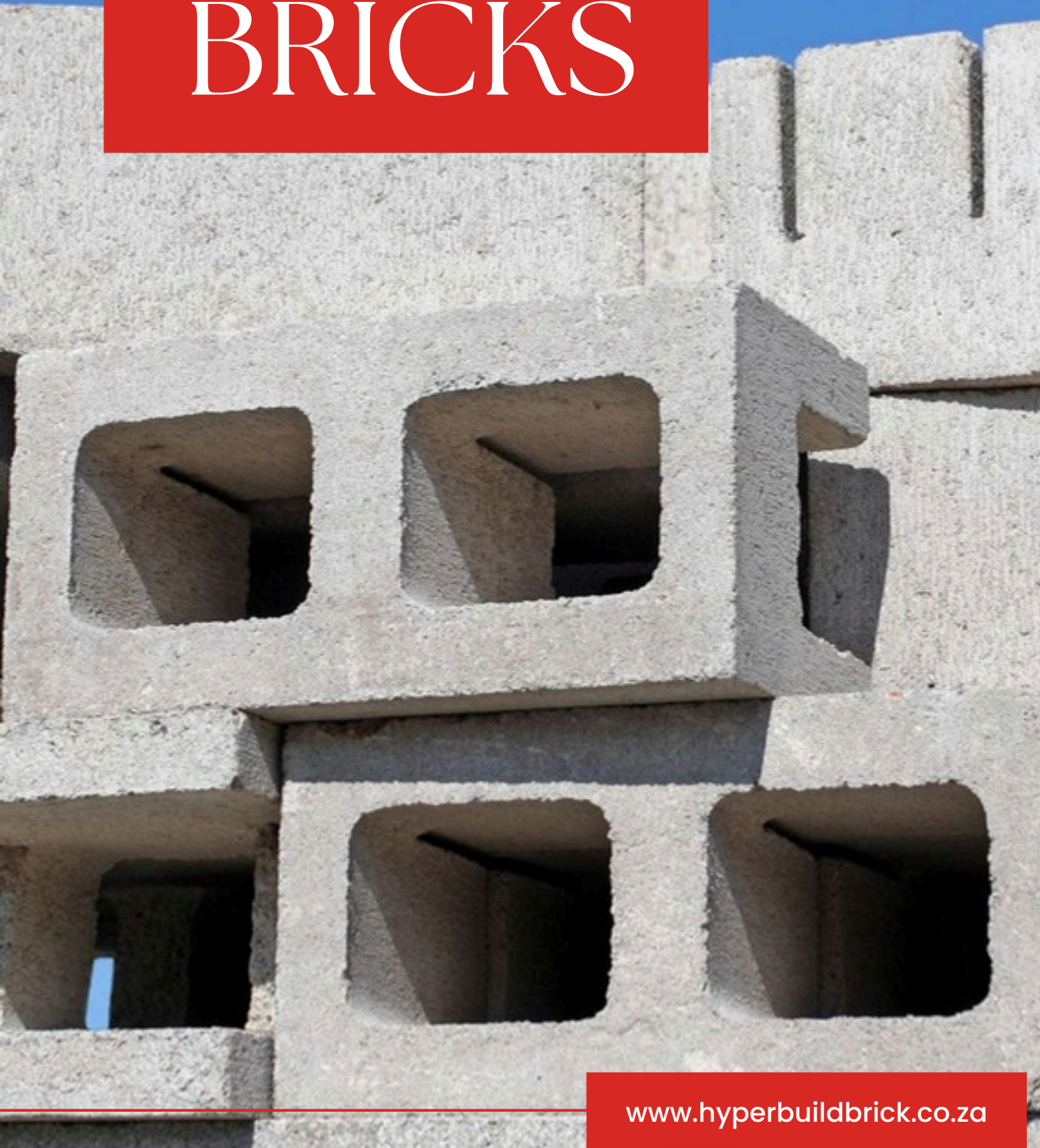


STEYN CITY - MIDRAND

We are proud to have contributed to the creation of this exceptional community. This expansive 2,000-acre estate features a variety of residential options, including apartments, cluster homes, freehold stands, and a senior village, all set against the backdrop of lush parkland.



CEMENT BRICKS





CEMENT STOCK BRICKS

Mpa:7, 10 & 14

Engineered for durability and performance. Perfect for a small home extension or a large commercial building.



CEMENT MAXI BRICKS

Mpa:7 & 10

Designed to accelerate construction timelines and reduce labour costs without compromising on strength.



CEMENT BLOCK BRICKS

MB:140- 6' INCH | MB190-8'INCH
Ash - 3.5mpa / Concrete - 7mpa

Engineered to deliver exceptional strength, durability, and efficiency. Their unique design minimizes noise transmission between rooms and floors.

CEMENT

SAND

STONE

CEMENT



KWIKBUILD 42.5N

Kwikbuild Cement complies with the international standard SANS 50197-1 :2013 in the class CEM II (B-M).

50 kg



KWIKBUILD 32.5N

Kwikbuild Cement complies with the international standard SANS 50197-1 :2013 in the class CEM V/B (S-V).

50 kg



WASHED PLASTER



RIVER SAND



BUILDING SAND

SAND & STONE



G1, G5, G6 & G7
FILLING/COMPACTING



BUILDERS MIX/
CRUSHER



13MM STONE



19MM STONE



6.7MM STONE

PAVING

REGULAR & DESIGNER PAVER RANGE



BEVEL PAVING
50MM



INTERLOCK PAVING
60MM



INTERLOCK PAVING
80MM



SPLIT BEVEL
PAVING 50MM



SPLIT INTERLOCK
PAVING 60MM



SPLIT INTERLOCK
PAVING 80MM



RIO ROCOS BEVEL
PAVING 50MM



VENETIAN PAVING
60MM



ETHNIC SMOOTH
PAVING 55MM



COTTAGE STONE
PAVING 50MM



CITY LOCK
PAVING 55MM

**WATERWISE/PERMEABLE
PAVER RANGE**



**WATERWISE
CITYLOCK PAVING
60MM**



**WATERWISE
PERMEABLE
PAVING 60MM**



**WATERWISE GRASS
BLOCK 100MM**

**AFFORDABLE/
ALTERNATIVE PAVING**



**CLAY STOCK
BRICK PAVING**

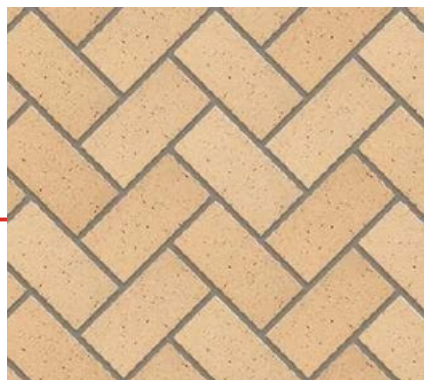


**YELLOW SEMI
FACE PAVING**

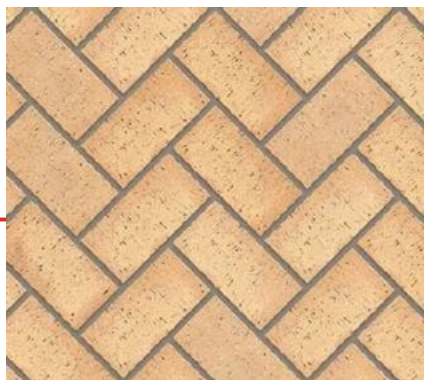


**RED SEMI FACE
PAVER**

COROBRIK - CLAY PAVING BRICKS



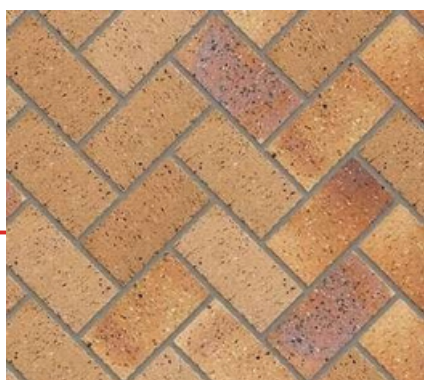
CHAMPAGNE
PAVER



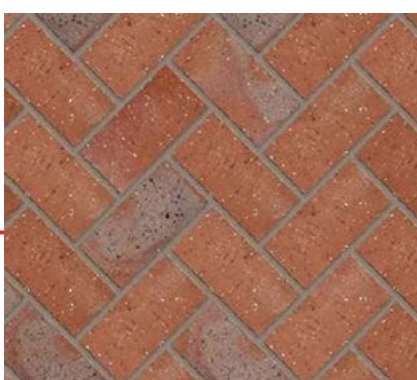
CEDERBERG PAVER



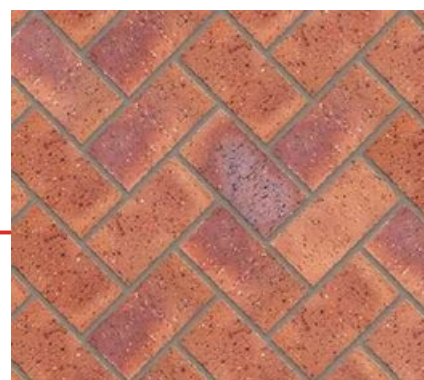
DE HOOP
STRAND PAVER



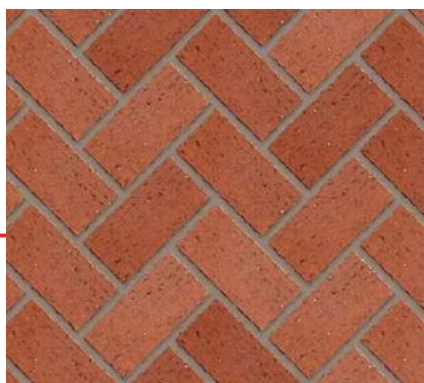
NAMAQUASTONE
PAVER



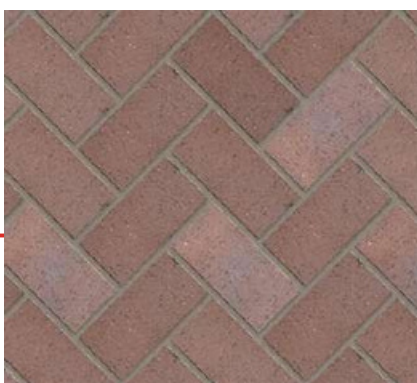
IRONSTONE
PAVER



TUSCAN BLEND
PAVER



DE HOOP RED
PAVER



NUTMEG PAVER



ONYX PAVER



GRAPHITE PAVER

KERB RANGE

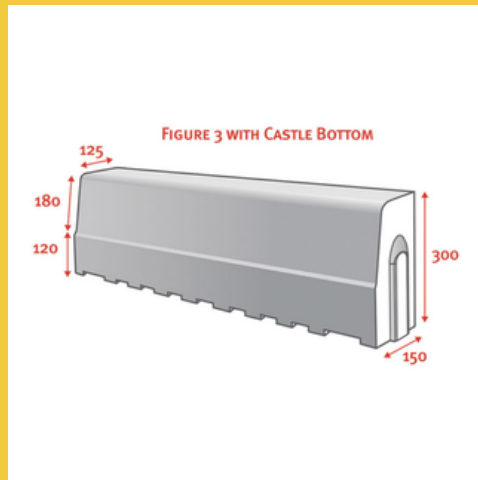


Figure 3 Barrier Kerb

Long: 1000mm
Short: 330mm

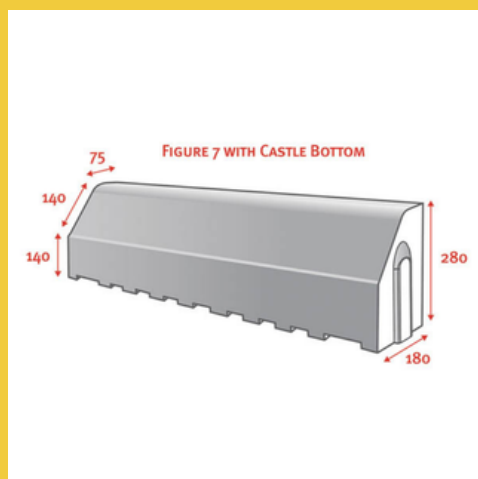


Figure 7 Semi-mountable Kerb

Long: 1000mm
Short: 330mm

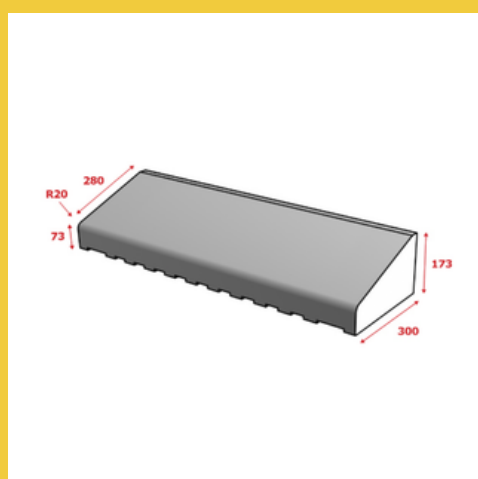


Figure 8B Medium-duty Mountable Kerb

Long: 1000mm
Short: 330mm

KERB RANGE

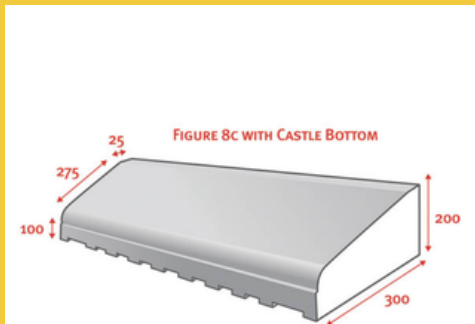
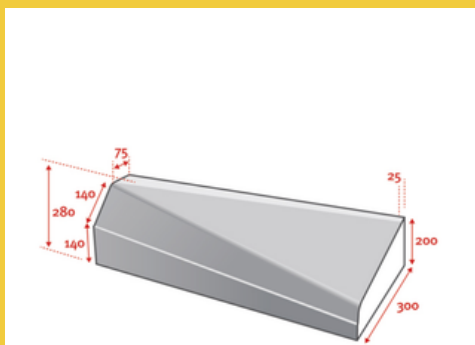


Figure 8C

Heavy-duty Mountable Kerb

Long: 1000mm

Short: 330mm



Transition

Heavy-duty Mountable Kerb
(Transition for Figure 7 or 8C)

Long: 1000mm

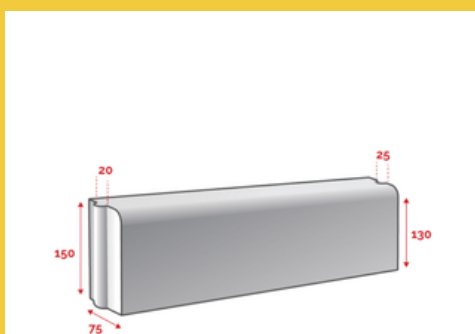


Figure 12 - Garden

Short: 500mm

KERB RANGE

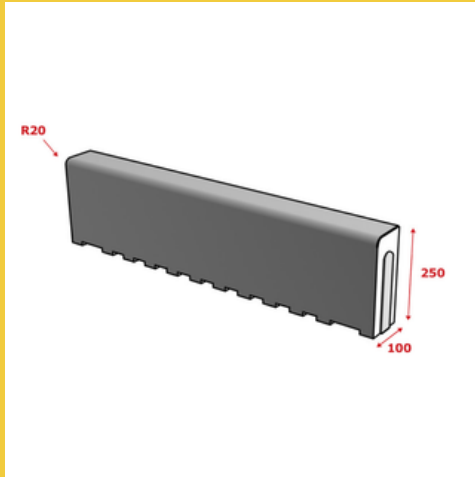
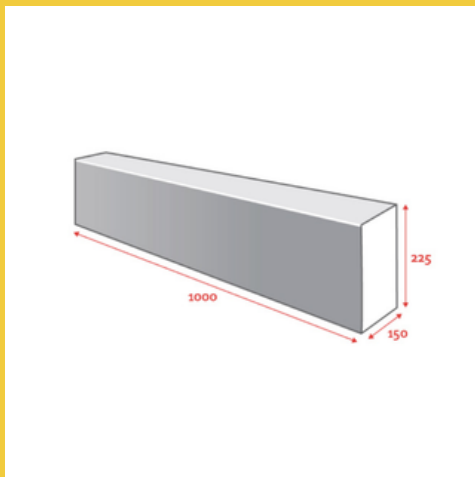


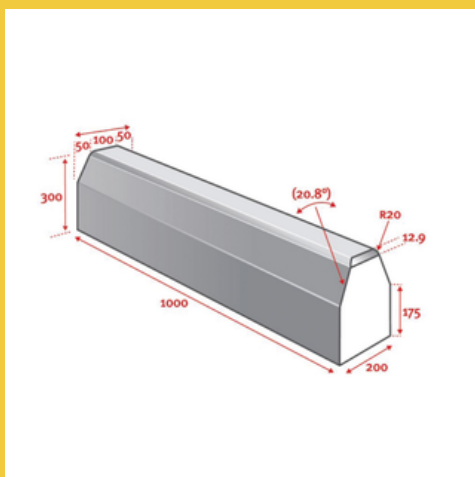
Figure 10

Long: 1000mm



Edge Beam

Long: 1000mm



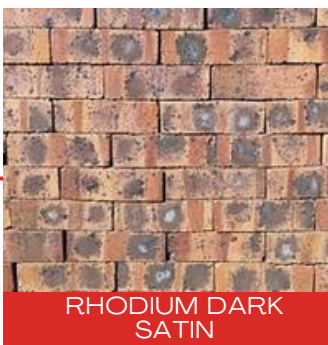
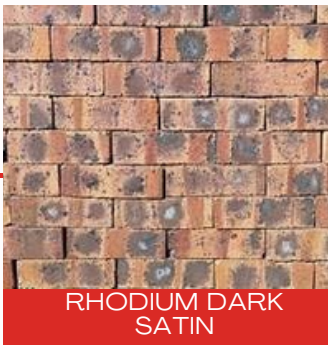
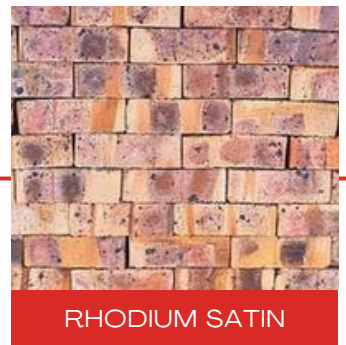
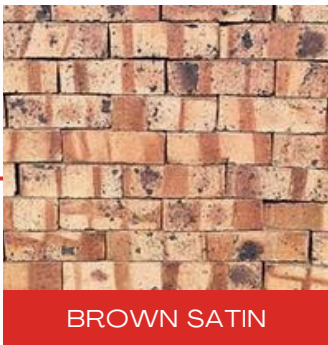
Delineator Kerb

DbI Sided Semi-mountable Kerb

Long: 500mm

SEMI FACE BRICKS

SEMI FACE BRICKS



SEMI FACE BRICKS



GOLD SATIN



VENEZIA SATIN



KRYPTON SATIN



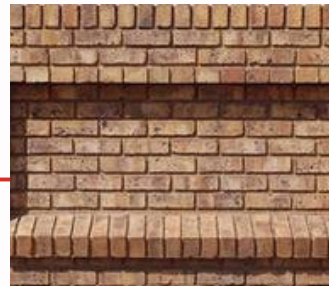
GOLD RUSTIC



BRONZE RUSTIC



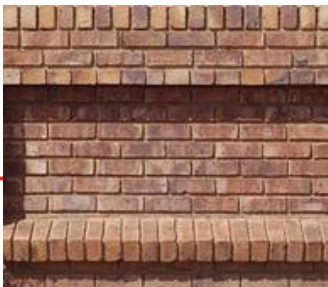
ARGON RUSTIC



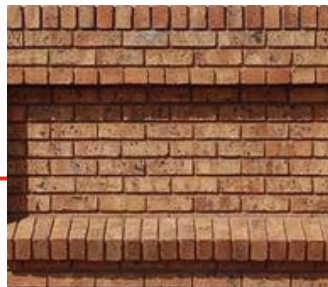
RAINBOW YELLOW



RAINBOW BLUE



RAINBOW RED



NOVA STAR



NOVA STAR DARK



MOLOPO BLUE



DARK ROCKFACE



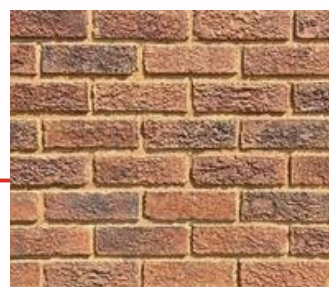
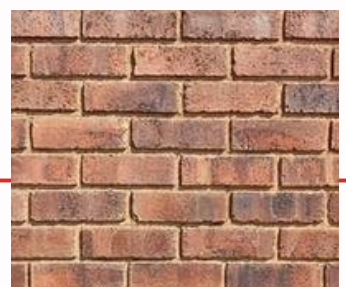
RED ROCKFACE

RED SATIN
VARIATION

RED SATIN

BLUE SLATE
RUSTIC

BLUE SLATE SATIN

BROWN SLATE
RUSTICBROWN SLATE
SATIN

SEMI FACE BRICKS



RED LIGHT MIX



MAROON LIGHT



MAROON DARK

CLAY STOCKS



CLAY PLASTERS



ROK PINK



ROK DARK



PREMIUM RED CLAY STOCKS

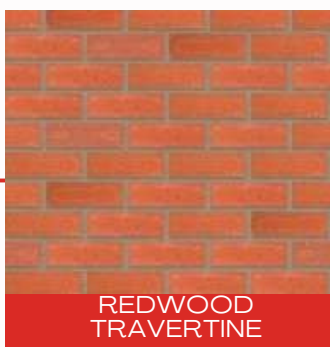


PREMIUM BLUE CLAY STOCKS

FACE BRICKS



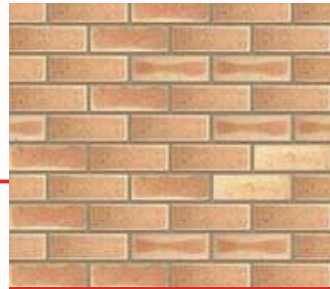
FACE BRICKS



FACE BRICKS



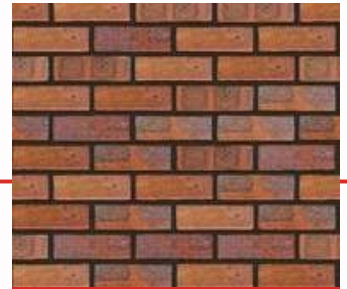
NEBRASKA
TRAVERTINE



NALA TRAVERTINE



NAMAQUA BLEND
TRAVERTINE



MONTANA
TRAVERTINE



MOROCCAN RED
TRAVERTINE



MOPANI TRAVERTINE



GOLDEN WHEAT
TRAVERTINE



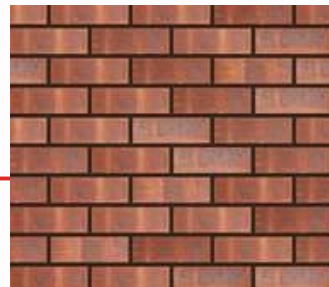
MAIZE TRAVERTINE



KIAAT CORAL



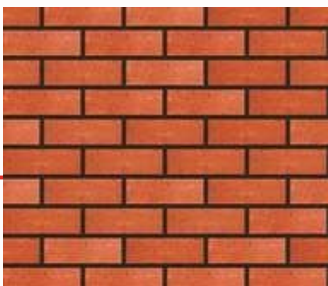
KIAAT TRAVERTINE



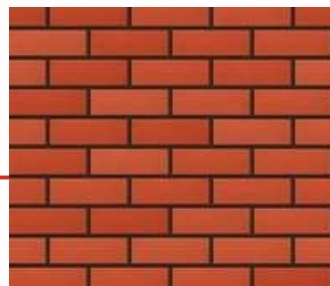
FYNBOS ROOI SATIN



FYNBOS GEEL SATIN



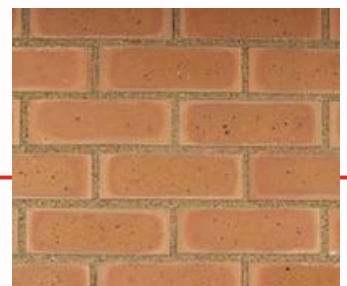
FIRELIGHT
TRAVERTINE



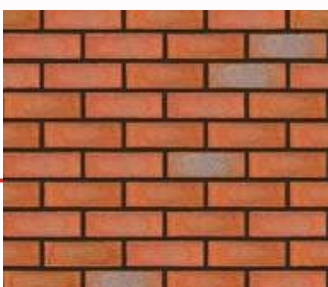
FIRELIGHT SATIN



COUNTRY MEADOW
TRAVERTINE



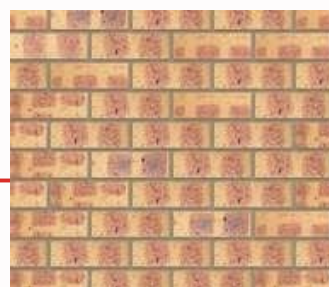
COUNTRY MEADOW
SATIN



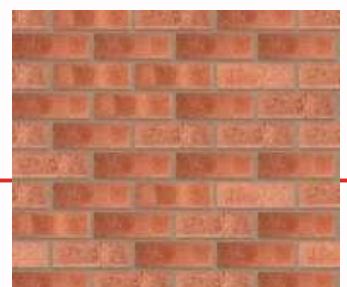
COUNTRY CLASSIC
TRAVERTINE



CORNGOLD SATIN



COROJEM MANOR
BLEND TRAVERTINE

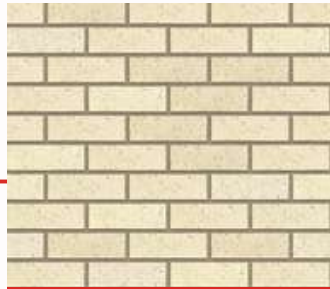


COROJEM CLASSIC
BLEND TRAVERTINE

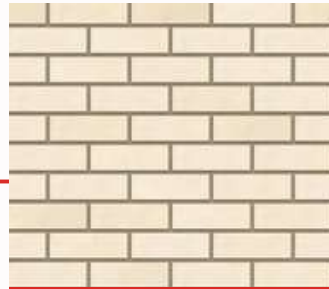
FACE BRICKS



BLUE BARLEY
TRAVERTINE



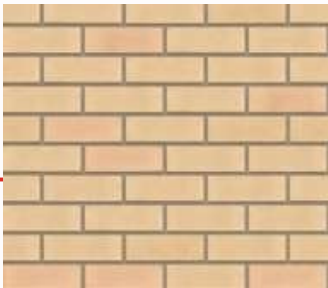
AGATE TRAVERTINE



AGATE SATIN



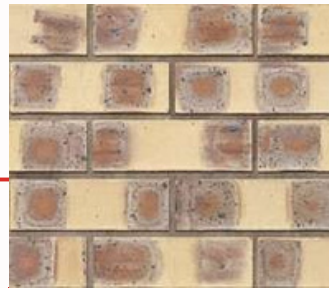
BUFF
TRAVERTINE



BUFF SATIN



SEMI FACE
TRAVERTINE



MOSAIC SATIN



SUNRISE TRAVERTINE



SEDONA SATIN



SUNSET SATIN



PEACH SATIN



PLUM SATIN



BLACK ROSE
TRAVERTINE



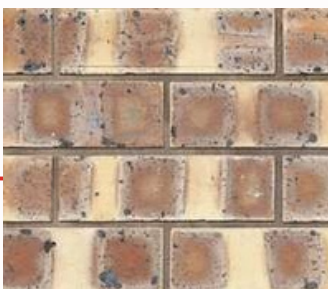
ROOIBOS TRAVERTINE



ZAMBEZI SATIN



MOCHA SATIN



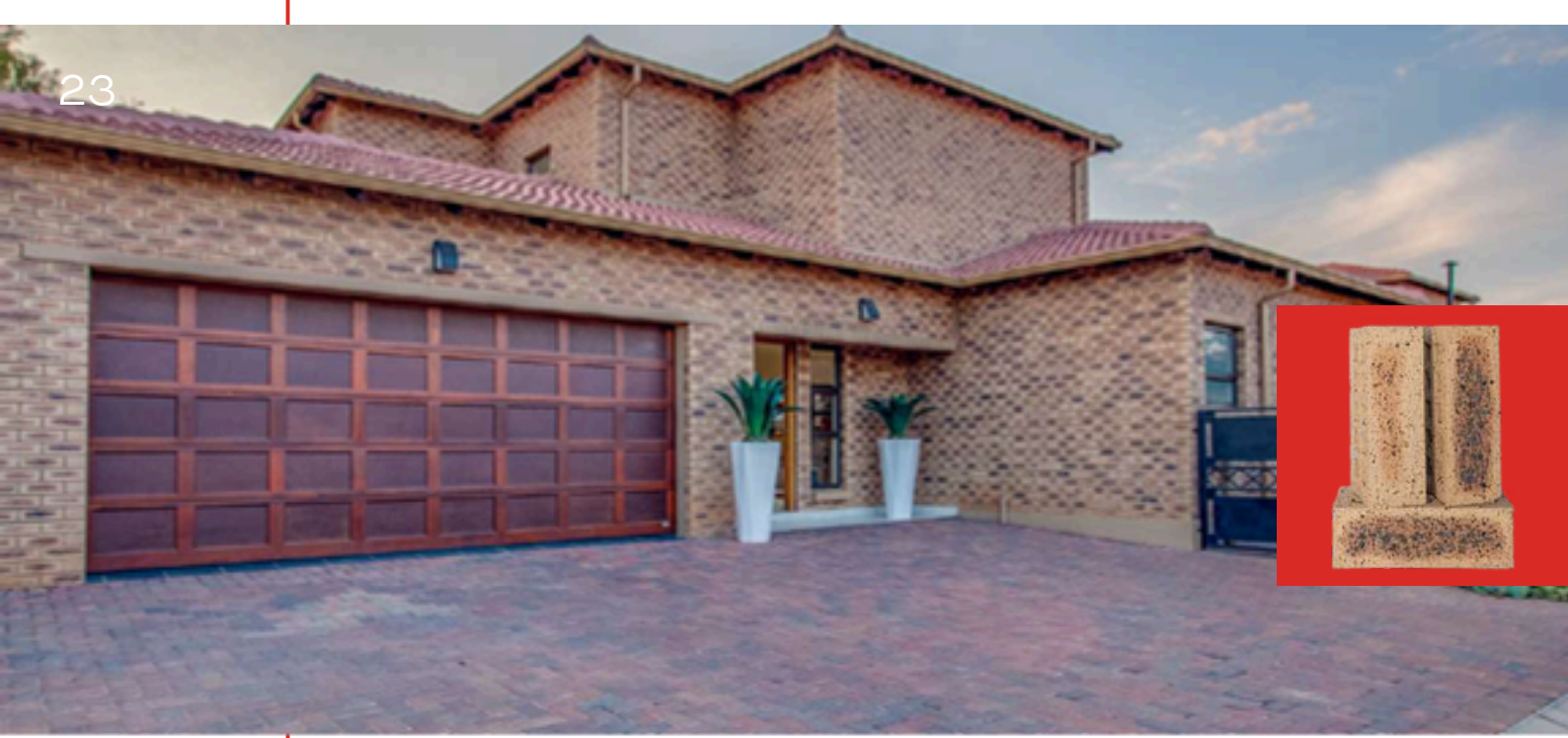
MAXI FACE BRICK

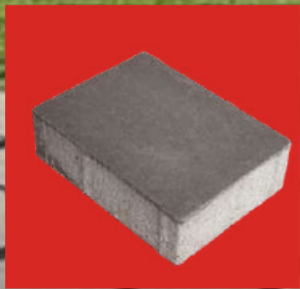
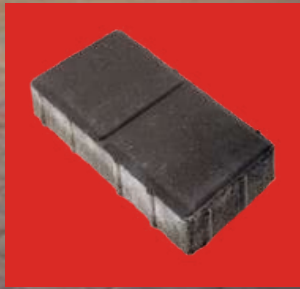
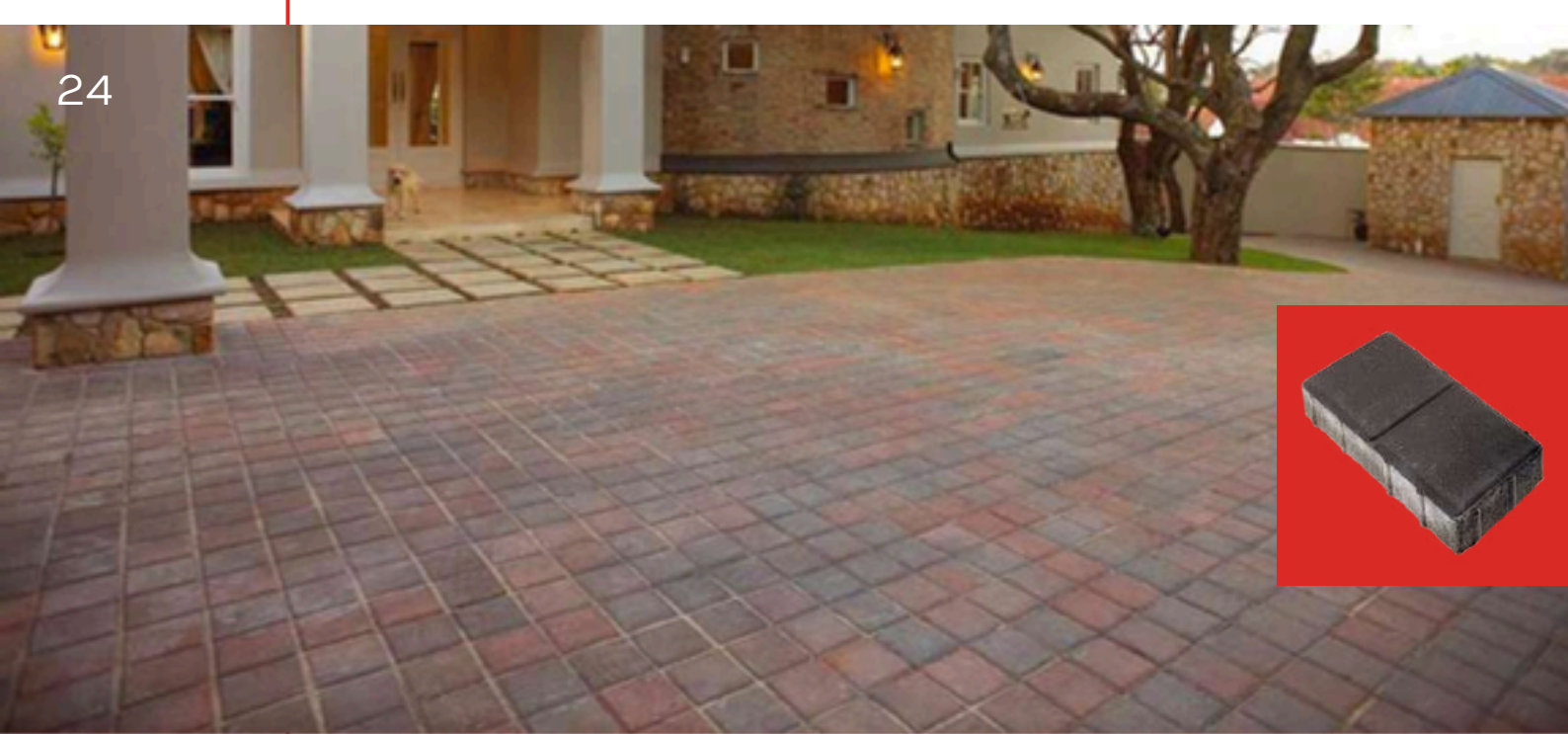


JEM FACE BRICK



THEMBISA JEM
BRICK





25

GET A QUOTE!

Corner Springs and First Rd
Vulcania, Brakpan. 1544

TEL - 011 744 3414

WHATSAPP - 083 658 3715

sales@hyperbuildbrick.co.za

www.hyperbuildbrick.co.za

Current Specials!

www.shop.hyperbuildbrick.co.za



THANK YOU FOR YOUR INTEREST!